

Hamburger Press Patty Maker With 5.2" Diameter

ITEM: 11428



Fast and easy

Ideal for fast food establishments, restaurants, or any fast-paced kitchen, Trento's top-down press patty maker will help you create perfect, uniform patties whether they are beef, chicken, turkey, or veggie.

FEATURES:

- Hamburger press is of anodized aluminium construction
- Food contact areas are made of stainless steel
- Upward push to make the extraction easier
- Simple to operate and easy to clean
- Easy to disassemble
- Cellophane papers available separately



► **Hamburger Press Paper for 11428**
(Item sold separately)

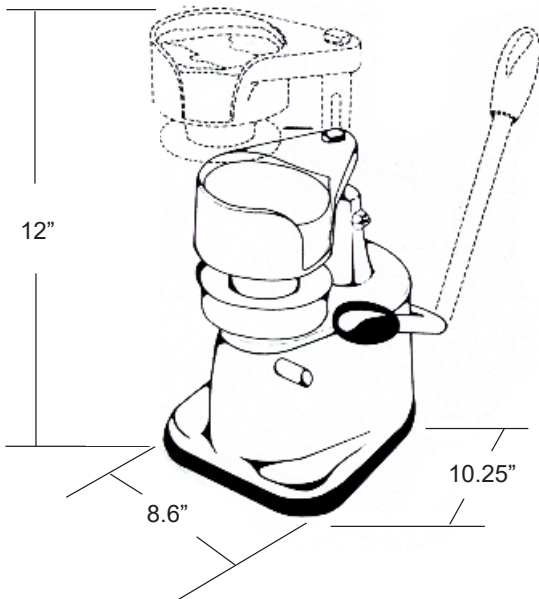
11429 | Hamburger Press Paper
Approximately 1890 sheets for 11428

Item 11429 - Cellophane Paper for 11428



TOP VIEW OF 11428

**TECHNICAL DRAWING
AND DIMENSIONS**



Technical Specification

Item	11428
Type	5.2" (13 mm) Diameter
Capacity	10 oz (max)
Net Weight	10 lb. (4.55 kg.)
Net Dimensions (WDH)	8.6" x 10.25" x 11" (218 x 260 x 280 mm)
Gross Weight	11 lb. (5 kg.)
Gross Dimensions (WDH)	10" x 11" x 13" (254 x 280 x 330 mm)